

ZB-K polymer discharge gear pump

ZB-K polymer discharge gear pump introduction:

ZB-F series [melt pump](#) is mainly used for transporting medium or high viscosity medium out of the vacuum reaction kettle. On basis of large suction inlet flange design, the high viscosity medium is able to absorb inside under vacuum conditions. This series of **extrusion discharge pump for reactor** is primarily applicable for ABS, PS, PC, PET, SAN, PP, PE Biopolymers, etc.



Technical Parameter of Polymer discharge gear pump:

- ◆ Material for [Melt Pumps](#) Body: stainless steel, carbon steel, hatelloy, monel metal
- ◆ Material for Gear: M2 Steel (Optional), tool steel, nitrided steel, special materials or coating
- ◆ Gear Tooth Type: straight gear, helical gear, herringbone gear
- ◆ Material for Sliding Bearing: Tool steel, titanium tantalum alloy, silver nickel, special materials or abrasion-resistant coating
- ◆ Shaft Sealing: Mechanical sealing, packing and spiral packing, combined
- ◆ Heating System: Electrical heating

Operating Parameter of extrusion discharge pump for reactor:

- ◆ Theory: Positive Displacement Gear Pump
- ◆ Structure: Gear Pump
- ◆ Usage: Plastic, Rubber Pump and Fiber
- ◆ Power: Electric or Oil
- ◆ Fuel: No Need
- ◆ Volume Range: 0.5CC - 12000CC
- ◆ Viscosity: ≤ 40000 Pa.s
- ◆ Working Temperature: $\leq 400^{\circ}\text{C}$ (750°F)
- ◆ Cleaning Temperature: $\leq 450^{\circ}\text{C}$ (850°F)
- ◆ Inlet Pressure: Vacuum--1.5MPa
- ◆ Outlet Pressure: vacuum – 1.5MPa
- ◆ Model/Flow Range: 0.5CC - 12000CC, 0.5cm³/rev - 12000cm³/rev
- ◆ Differential Pressure: 40Mpa

ZB-K polymer discharge gear pump application:

- ◆ Polymer extrusion molding, such as granulation, film, pipe, plate, sheet, etc.;
- ◆ High-viscosity materials such as PC, PMMA, ABS, HIPS, PET, PVB, PS, PP, PA, PE, PVA .etc;
- ◆ Rubber, asphalt, paint, adhesives, coatings, lubricants, polyalcohol, non-particulate impurities;
- ◆ Polyester for cotton-fiber, polypropylene and other chemical fiber melt.



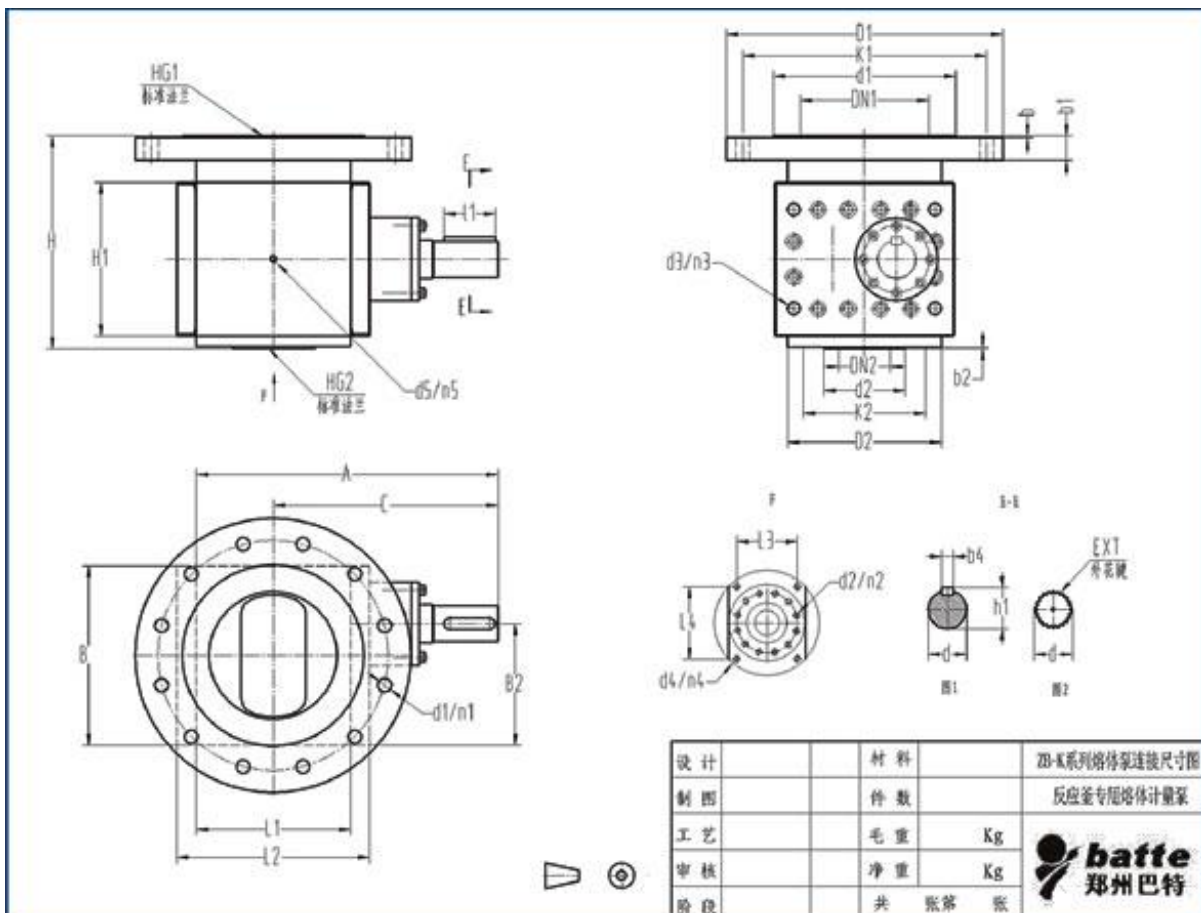


Batte Melt Pump Zhengzhou Co., Ltd

E-mail: sales@battemachinery.com

Address: No.11 Changchun Road, High-tech Zone, Zhengzhou, China

Pump Model	Pump Volume (CC)	Driven Power (kw)	Heating Power (kw)	Working Temperature	Working Pressure
ZB-0.6	0.6	0.37	0.5	≤400°C (750°F)	Outlet Pressure: ≤ 40Mpa(6,000psi) Outlet Differential Pressure: ≤ 275Mpa
ZB-1.2	1.2	0.75	0.5		
ZB-2	2	0.75	1		
ZB-5	5	1.1	2		
ZB-10	10	1.5	2		
ZB-20	20	2.2	2		
ZB-31.5	32	3	2		
ZB-50	50	4	3		
ZB-100	100	5.5	4		
ZB-150	150	7.5	5		
ZB-90/90	200	11	6		
ZB-100/100	250	15	8		
ZB-100/100	315	18.5	8		
ZB-115/115	500	22	12		
ZB-130/130	800	30	15		
ZB-160/160	1200	37	20		
ZB-180/160	2500	45	24		
ZB-180/180	3200	55	24		
ZB-224/224	6000	75	30		



<http://www.melpump.com/>
sales@battemachinery.com



[Home](#) [About Us](#) [Melt Pumps](#) [Screen Changers](#) [Loss In Weight Feeders](#) [Principle](#) [Service](#)

Batte Main Products

Melt Pump Series:

- ★ [ZB-B standard extrusion melt pump](#)
- ★ [ZB-C reinforced melt pump for extrusion](#)
- ★ [ZB-D gear pumps for pipeline](#)
- ★ [ZB-E pressurized melt pump](#)
- ★ [ZB-F melt pump for reactor](#)
- ★ [ZB-H high pressure extruder pump](#)
- ★ [ZB-K polymer discharge gear pump](#)
- ★ [ZB-R extrusion rubber pump](#)

- ★ [RS double shaft rubber gear pump](#)
- ★ [ZB-U spinning pump](#)
- ★ [ZB-W chemical metering melt pump](#)
- ★ [ZB-X gear metering chemical pump](#)
- ★ [New type melt pump](#)
- ★ [Melt pump spare parts](#)
- ★ [PID control system for extruder](#)
- ★ [PLC control system for extrusion line](#)
- ★ [PDF download](#)

Screen Changer Series:

- ★ [Manual screen changer](#)
- ★ [Slide plate screen changer](#)
- ★ [Continuous piston screen changer](#)
- ★ [Continuous backflush screen changer](#)
- ★ [Automatic belt screen changer](#)
- ★ [Pelletizer filter without wire mesh](#)
- ★ [Screen changer spare parts](#)
- ★ [PDF download](#)

Loss in Weight Feeder Series:

(For granule, sheet, powder, liquid, etc.)

- ★ [Loss in weight screw feeder](#)
- ★ [Volumetric screw feeder](#)
- ★ [Liquid polymer feed system](#)
- ★ [Multi-component gravimetric feeders](#)
- ★ [Gravimetric feeder control system](#)
- ★ [Feeding system](#)
- ★ [PDF download](#)