

ZB-F melt pump for reactor

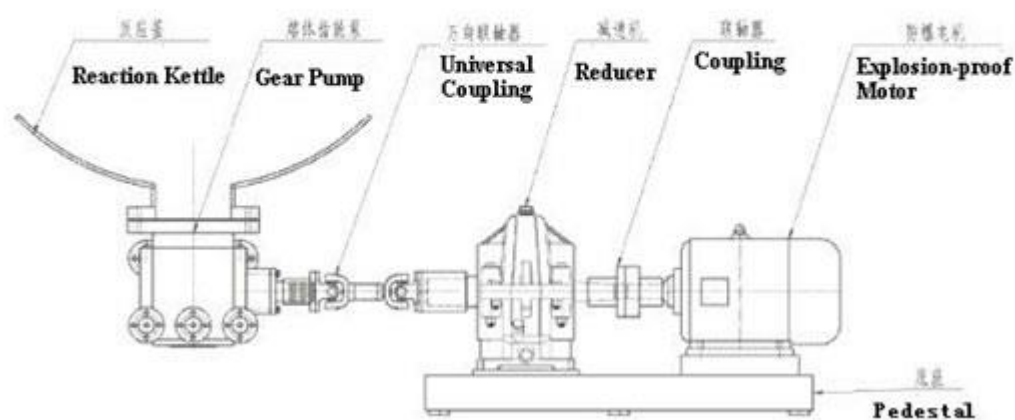


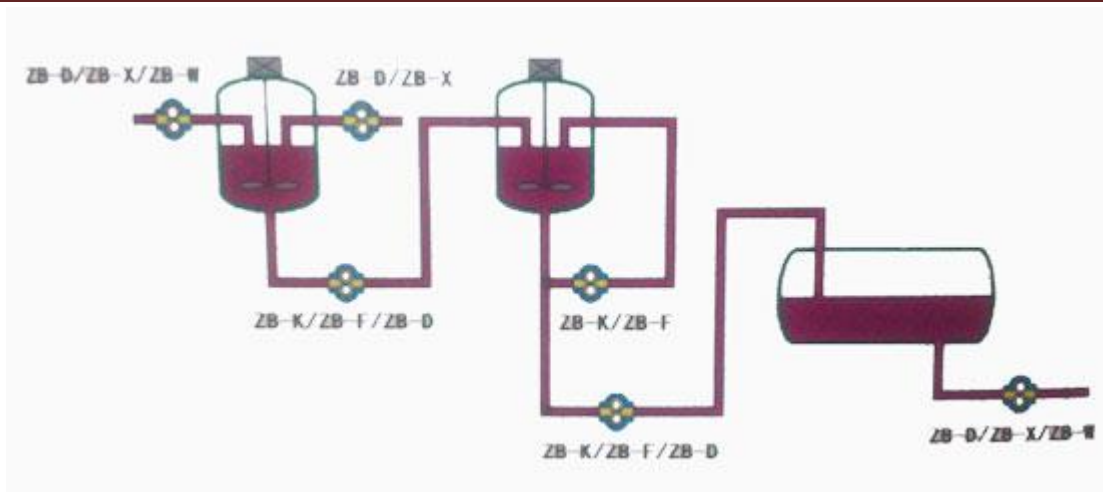
ZB-F melt pump for reactor applications:

ZB-F series **gear pump for reaction kettle** is mainly used for transporting medium or high viscosity medium out of the vacuum reaction kettle. On basis of large suction inlet flange design, the high viscosity medium is able to absorb inside under vacuum conditions. This series **melt pump for reactor** is primarily applicable for ABS, PS, PC, PET, SAN, PP, PE Biopolymers, etc.

This chemical metering melt pump for reactor is mainly used in chemical engineering, chemical fiber, spinning, oil, food industry, biology, medical, and so on. Such as dacron, acrylic fibers, high strength polyethylene, resin, medical, binding agent, polyol, oil and other industries. With the increasing development of mechanical industries, this [melt pump](#) is increasingly accepted and applied by domestic.

Installation Way





Technical Parameter of reaction kettle gear pump:

- ◆ Material for Melt Pump Body: stainless steel, carbon steel, hatelloy, monel metal
- ◆ Material for Gear: M2 Steel (Optional), tool steel, nitrided steel, special materials or coating
- ◆ Gear Tooth Type: straight gear, helical gear, herringbone gear
- ◆ Material for Sliding Bearing: Tool steel, titanium tantalum alloy, silver nickel, special materials or abrasion-resistant coating
- ◆ Shaft Sealing: Mechanical sealing, packing and spiral packing, combined
- ◆ Heating System: Conduction oil heating or biphenyl gas heating
- ◆ Model/Flow Range: 0.5CC - 12000CC, 0.5cm³/rev - 12000cm³/rev

Features of chemical reactor melt pumps:

- ◆ Stabilizing outlet pressure;
- ◆ Improving the products quality;
- ◆ Increasing the extrusion output;
- ◆ Reducing unit energy consumption;
- ◆ Prolonging the service time of extruder.

Operating Parameter of Melt pump for reactor:

- ◆ Theory: Positive Displacement Gear Pump
- ◆ Structure: [Gear Pumps](#)
- ◆ Usage: Plastic, Rubber Pump and Fiber
- ◆ Power: Electric or Oil
- ◆ Fuel: No Need
- ◆ Pressure: High Pressure
- ◆ Volume Range: 0.5CC - 12000CC
- ◆ Viscosity: ≤40000 Pa.s
- ◆ Working Temperature: ≤400°C(750°F)
- ◆ Cleaning Temperature: ≤450°C(850°F)
- ◆ Inlet Pressure: Vacuum--1.5MPa
- ◆ Outlet Pressure: vacuum – 1.5MPa
- ◆ Differential Pressure: ≤25MPa
- ◆ Outlet Pressure: 40Mpa

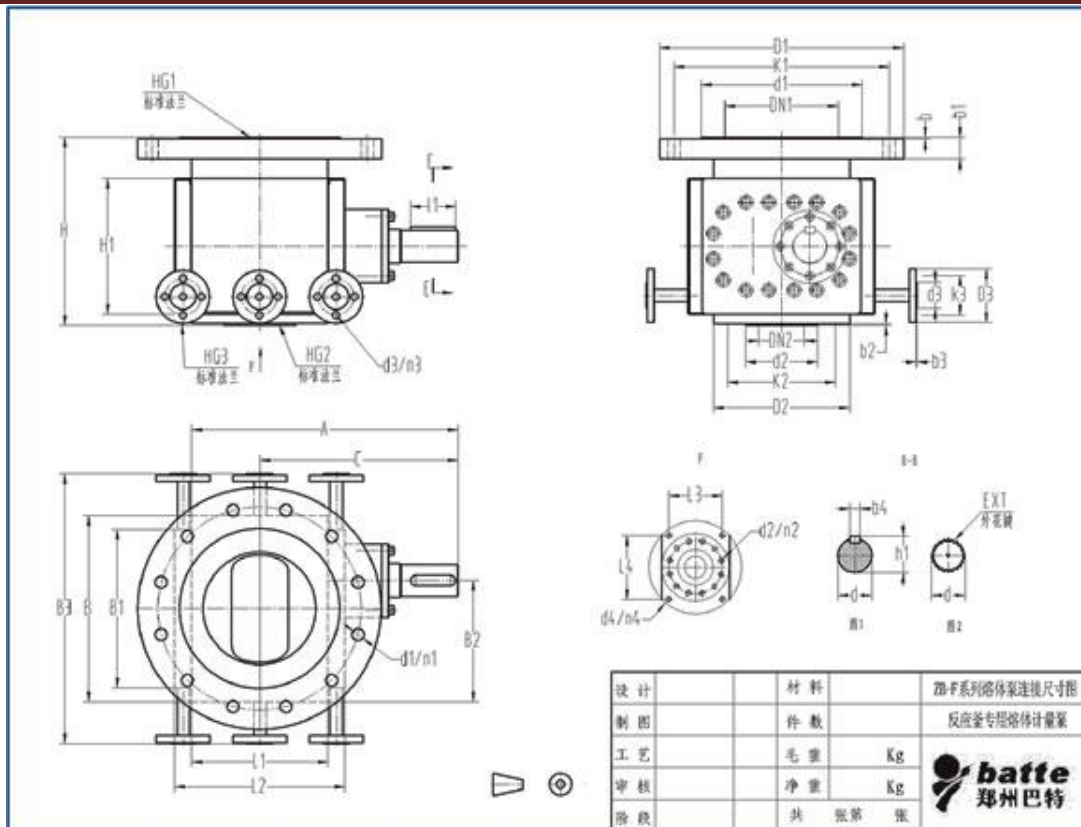




Batte Melt Pump Zhengzhou Co., Ltd

E-mail: sales@battemachinery.com

Address: No.11 Changchun Road, High-tech Zone, Zhengzhou, China



Pump Model	Pump Volume (CC)	Driven Power (kw)	Heating Power (kw)	Working Temperature	Working Pressure
ZB-0.6	0.6	0.37	0.5	≤400°C (750°F)	Outlet Pressure: ≤ 40Mpa(6,000psi) Outlet Differential Pressure: ≤ 275bar
ZB-1.2	1.2	0.75	0.5		
ZB-2	2	0.75	1		
ZB-5	5	1.1	2		
ZB-10	10	1.5	2		
ZB-20	20	2.2	2		
ZB-31.5	32	3	2		
ZB-50	50	4	3		
ZB-100	100	5.5	4		
ZB-150	150	7.5	5		
ZB-90/90	200	11	6		
ZB-100/100	250	15	8		
ZB-100/100	315	18.5	8		
ZB-115/115	500	22	12		
ZB-130/130	800	30	15		
ZB-160/160	1200	37	20		
ZB-180/160	2500	45	24		
ZB-180/180	3200	55	24		
ZB-224/224	6000	75	30		



<http://www.meltump.com/>
sales@battemachinery.com



Batte Main Products

Melt Pump Series:

- ★ [ZB-B standard extrusion melt pump](#)
- ★ [ZB-C reinforced melt pump for extrusion](#)
- ★ [ZB-D gear pumps for pipeline](#)
- ★ [ZB-E pressurized melt pump](#)
- ★ [ZB-F melt pump for reactor](#)
- ★ [ZB-H high pressure extruder pump](#)
- ★ [ZB-K polymer discharge gear pump](#)
- ★ [ZB-R extrusion rubber pump](#)

- ★ [RS double shaft rubber gear pump](#)
- ★ [ZB-U spinning pump](#)
- ★ [ZB-W chemical metering melt pump](#)
- ★ [ZB-X gear metering chemical pump](#)
- ★ [New type melt pump](#)
- ★ [Melt pump spare parts](#)
- ★ [PID control system for extruder](#)
- ★ [PLC control system for extrusion line](#)
- ★ [PDF download](#)

Screen Changer Series:

- ★ [Manual screen changer](#)
- ★ [Slide plate screen changer](#)
- ★ [Continuous piston screen changer](#)
- ★ [Continuous backflush screen changer](#)
- ★ [Automatic belt screen changer](#)
- ★ [Pelletizer filter without wire mesh](#)
- ★ [Screen changer spare parts](#)
- ★ [PDF download](#)

Loss in Weight Feeder Series:

(For granule, sheet, powder, liquid, etc.)

- ★ [Loss in weight screw feeder](#)
- ★ [Volumetric screw feeder](#)
- ★ [Liquid polymer feed system](#)
- ★ [Multi-component gravimetric feeders](#)
- ★ [Gravimetric feeder control system](#)
- ★ [Feeding system](#)
- ★ [PDF download](#)

