

ZB-C reinforced melt pump for extrusion

ZB-C reinforced melt pump for extrusion:

With a **reinforced melt pump for extrusion** between your extruder and die you can directly dial in gauge control, eliminating extruder surge and screw beat at the die. ZB-C **extruder melt pump** is widely used in extrusion lines.



ZB-C reinforced melt pump for extrusion



The updated ZB-C extruder melt pump

ZB-C reinforced melt pump for extrusion applications:

ZB-C series reinforced melt pump is mainly used for stabilizing, pressurization and transportation of medium or high viscosity medium from the polymer flow layer. This series of [melt pump](#) adopts electrical heating, and applies to PS, PP, PET, PVC, PC, PMMA, PA, etc.

ZB-C extruder melt pump technical parameter:

- ◆Material for [Gear Pumps](#) Body: High temperature tool steel, chromenickel steel, titanium tantalum alloy or stainless steel
- ◆Material for Gear: M2 Steel (Optional), high temperature tool steel, nitrided steel, or stainless steel, special materials or abrasion-resistant coating
- ◆Gear Tooth Type: straight gear, helical gear, herringbone gear
- ◆Material for Sliding Bearing: High temperature tool steel, wolfram carbide, stainless steel, special materials or abrasion-resistant coating
- ◆Shaft Sealing: (double) spiral sealing
- ◆Heating System: Electrical Heating
- ◆Model/Volume Range: 0.5CC - 3200CC, 0.5cm³/rev - 3200cm³/rev

ZB-C gear type extruder melt pump operating parameter and drawing:

- ◆Viscosity: ≤40000 Pa.s
- ◆Working Temperature: ≤400°C (750°F)
- ◆Cleaning Temperature: ≤450°C (850°F)
- ◆Outlet Pressure: ≤40Mpa (6,000psi)
- ◆Inlet Pressure: ≤12MPa
- ◆Differential Pressure: ≤25Mpa



Melt Pumps:



Screen Changers:



Loss in Weight Feeders:



Control Systems:



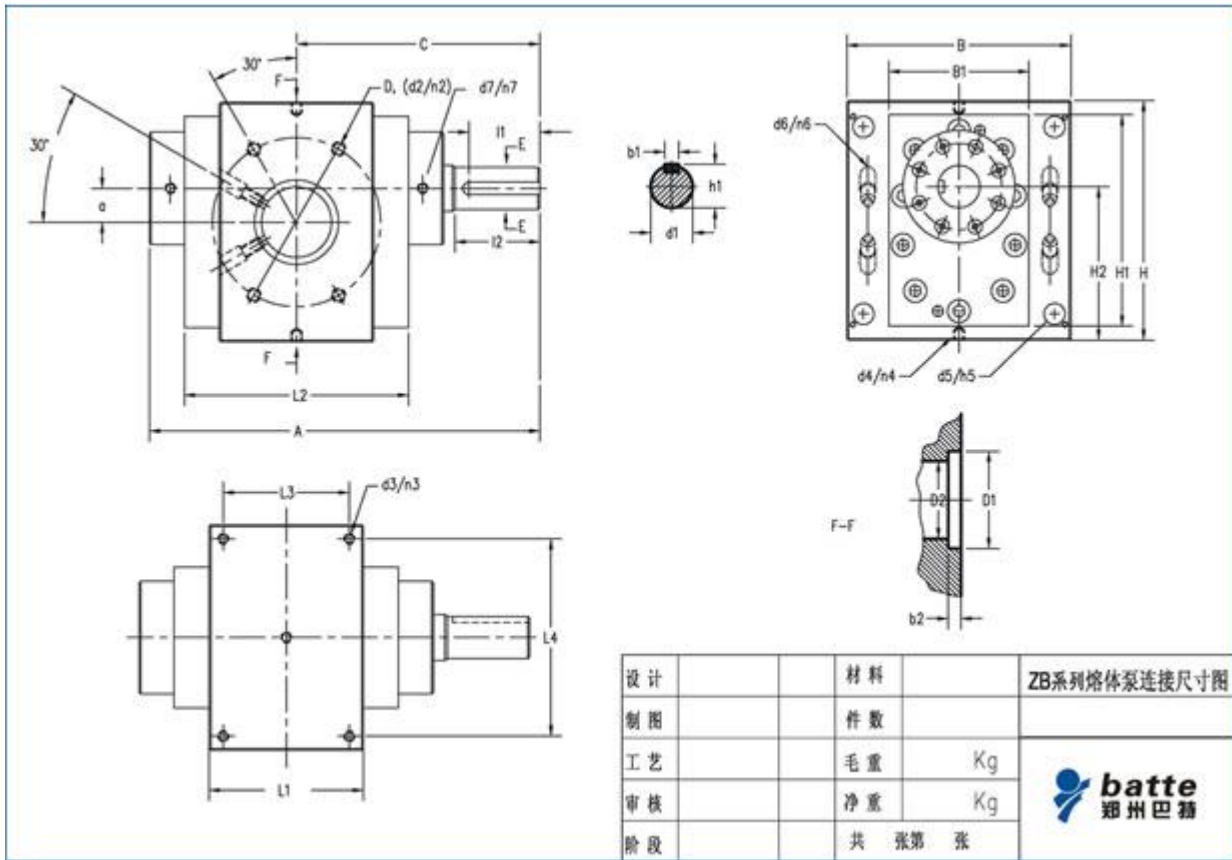


Batte Melt Pump Zhengzhou Co., Ltd

E-mail: sales@battemachinery.com

Address: No.11 Changchun Road, High-tech Zone, Zhengzhou, China

Pump Model	Pump Volume (CC)	Driven Power (kw)	Heating Power (kw)	Working Temperature	Working Pressure
ZB-0.6	0.6	0.37	0.5	≤400°C (750°F)	Outlet Pressure: ≤ 40Mpa(6,000psi) Outlet Differential Pressure: ≤ 275Mpa
ZB-1.2	1.2	0.75	0.5		
ZB-2	2	0.75	1		
ZB-5	5	1.1	2		
ZB-10	10	1.5	2		
ZB-20	20	2.2	2		
ZB-31.5	32	3	2		
ZB-50	50	4	3		
ZB-100	100	5.5	4		
ZB-150	150	7.5	5		
ZB-90/90	200	11	6		
ZB-100/100	250	15	8		
ZB-100/100	315	18.5	8		
ZB-115/115	500	22	12		
ZB-130/130	800	30	15		
ZB-160/160	1200	37	20		
ZB-180/160	2500	45	24		
ZB-180/180	3200	55	24		
ZB-224/224	6000	75	30		



<http://www.meltump.com/>
sales@battemachinery.com



Batte Main Products

Melt Pump Series:

- ★ [ZB-B standard extrusion melt pump](#)
- ★ [ZB-C reinforced melt pump for extrusion](#)
- ★ [ZB-D gear pumps for pipeline](#)
- ★ [ZB-E pressurized melt pump](#)
- ★ [ZB-F melt pump for reactor](#)
- ★ [ZB-H high pressure extruder pump](#)
- ★ [ZB-K polymer discharge gear pump](#)
- ★ [ZB-R extrusion rubber pump](#)

- ★ [RS double shaft rubber gear pump](#)
- ★ [ZB-U spinning pump](#)
- ★ [ZB-W chemical metering melt pump](#)
- ★ [ZB-X gear metering chemical pump](#)
- ★ [New type melt pump](#)
- ★ [Melt pump spare parts](#)
- ★ [PID control system for extruder](#)
- ★ [PLC control system for extrusion line](#)
- ★ [PDF download](#)

Screen Changer Series:

- ★ [Manual screen changer](#)
- ★ [Slide plate screen changer](#)
- ★ [Continuous piston screen changer](#)
- ★ [Continuous backflush screen changer](#)
- ★ [Automatic belt screen changer](#)
- ★ [Pelletizer filter without wire mesh](#)
- ★ [Screen changer spare parts](#)
- ★ [PDF download](#)

Loss in Weight Feeder Series:

(For granule, sheet, powder, liquid, etc.)

- ★ [Loss in weight screw feeder](#)
- ★ [Volumetric screw feeder](#)
- ★ [Liquid polymer feed system](#)
- ★ [Multi-component gravimetric feeders](#)
- ★ [Gravimetric feeder control system](#)
- ★ [Feeding system](#)
- ★ [PDF download](#)